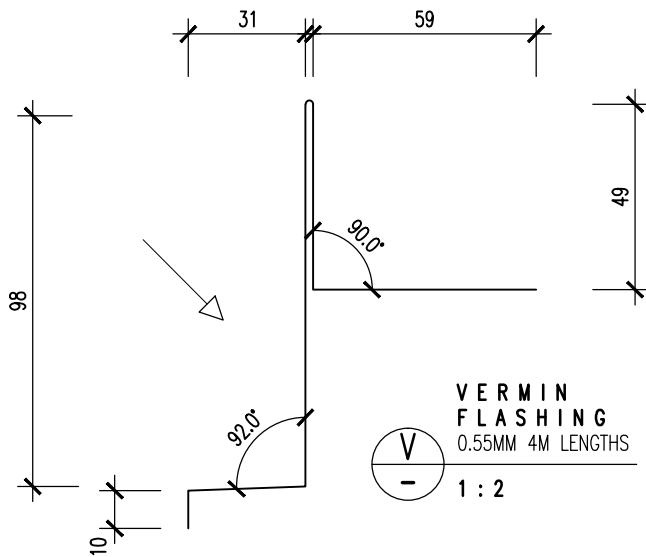


**VERMIN  
FLASHING**  
0.55MM 4M LENGTHS  
1 : 5

**NOTE :**  
ARROW INDICATES  
COLORSTEEL SIDE  
OF FLASHING



**VERMIN  
FLASHING**  
0.55MM 4M LENGTHS  
1 : 2

ISSUE	DATE	NOTES	PROJECT		REF		
			X SPAN COMPONENT FLASHINGS		-		
			CLIENT	DATE	10.12.14	DWG #	VF1
				SCALE	1:5/1:2@A4		
			TITLE	DRAWN	CGD	REVISION	-
				CHECKED	AJF		